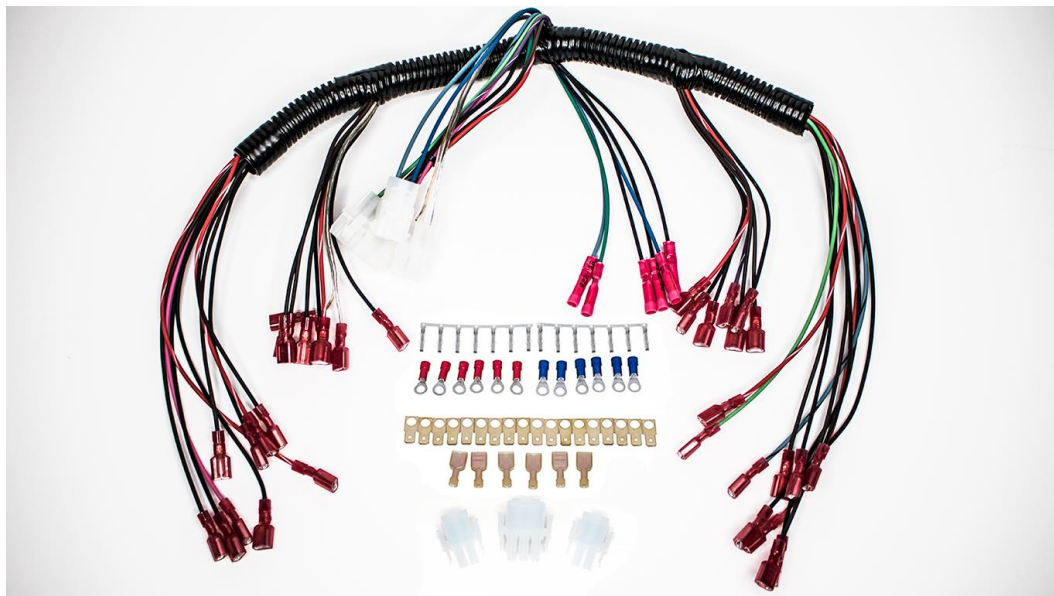




Thank you for purchasing this wiring harness from Intellitronix. We value our customers!

INSTALLATION GUIDE
Universal Dash Panel Wiring Harness
Part Number: FP30302



*** Always disconnect the battery *before* attempting any electrical work on your vehicle.***

WIRING INSTRUCTIONS

- Speedometer:** Bonded wires to sensor terminal(S) red/white to battery (+) black to ground.
- Tachometer:** Purple/white to sender (if used); red/white to battery (+) black to ground (-).
- Fuel level gauge:** Pink to sender (S) red/white to battery (+) black to ground (-).
- Oil pressure gauge:** Light blue/black to sender (S); Red/white to battery (+) black to ground (-).
- Water temperature gauge:** Light green to sender (S); Red/white to battery (+) black to ground (-)
- Voltmeter:** Red/white to battery (+) black to ground (-)
- Dash lights:** Brown to dash lights black to ground
- Right turn indicator:** Blue to indicator **b+** black to Ground
- Left turn indicator:** Light blue to indicator **b+** black to ground
- High beam indicator:** Green to indicator **b+** black to ground

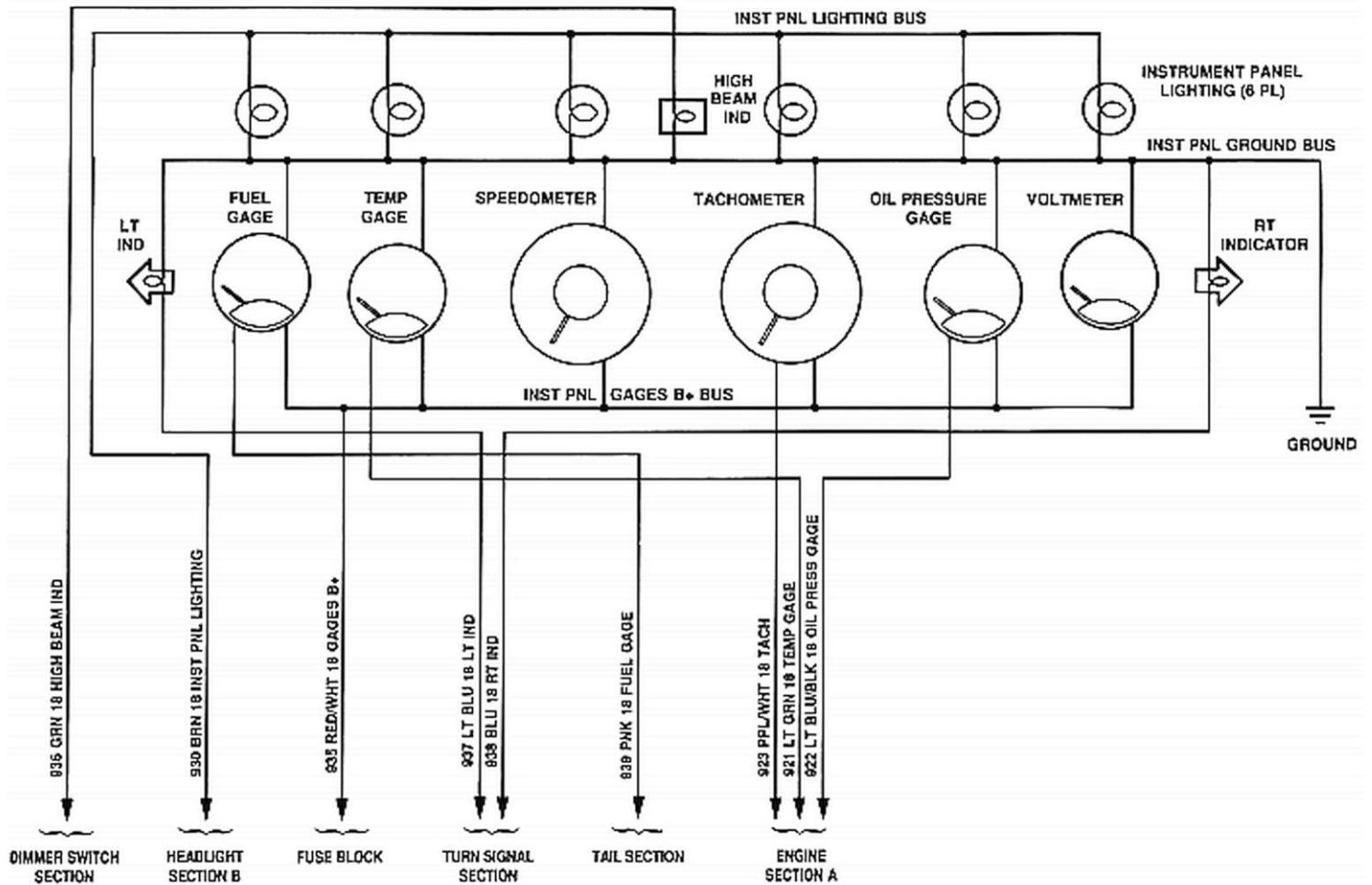
NOTES: If your gauges have studs with nuts instead of blade (push-on) connectors, use the adapter terminals supplied or conversion to the push on type terminal.

If your dash lights have a single wire coming out the center of the socket, attach the brown wire to it and attach the black wire to the gauge mounting bracket using the ring terminals provided.

If your indicator lights have push-on terminals, remove the butt connectors installed on the harness Indicator wires and replace with the push-on connectors supplied.

This harness is manufactured with butt connectors on the wires for the indicator lights and push-on connectors on the gauge wires for your convenience.

INSTRUMENT PANEL SECTION WIRING



#

Made in America

Lifetime Guarantee



Technical Support

**Monday – Friday
9am to 5 pm EST**

**(440) 210-7646
support@intellitronix.com**



This product carries a limited Lifetime Warranty.

This warranty is limited to replacement or repair of the unit at the discretion of Intellitronix.