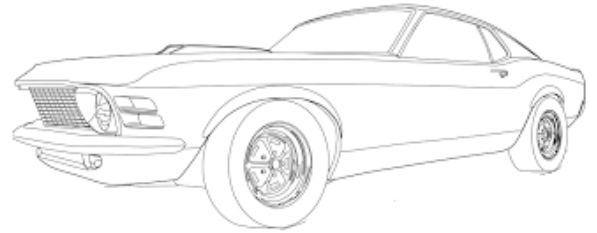


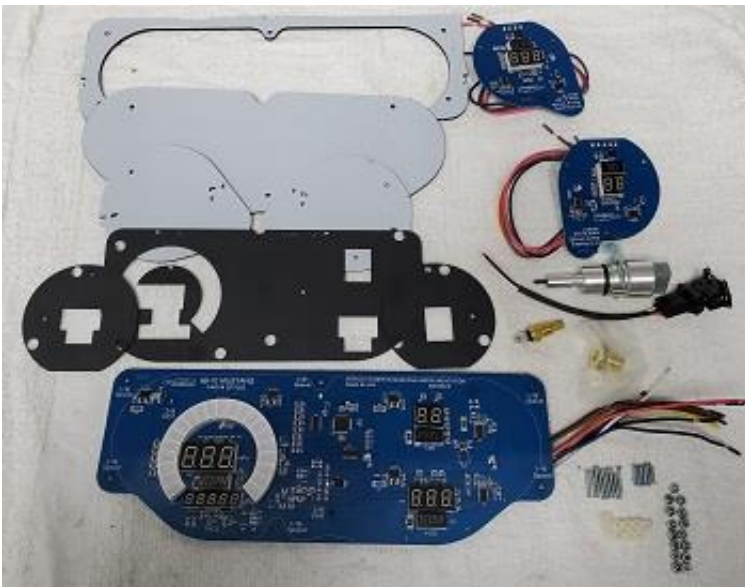
**Made in America**

**Lifetime Guarantee**



**Thank you for purchasing this dash panel from Intellitronix. We value our customers!**

**INSTALLATION GUIDE**  
**Ford Mustang Digital Dash Panel**  
**Part Number: DP7003**  
**Year Series: 1969 – 1970**



**\* Always disconnect the battery *before* attempting any electrical work on your vehicle.\***

## KIT COMPONENTS

One (1) Digital Circuit Board: Speedo/Tach Combo, Fuel, Water Temp  
One (1) Digital Circuit Board: Volt  
One (1) Digital Circuit Board: Oil pressure gauges  
One (4) Smoked Acrylic Lens \* **Peel off protective covering from both sides of each lens**  
One (1) Temperature Sending Unit (*S8013*) \* **1/8" NPT, 0-255 Deg., 1/2" NPT Bushing**  
One (1) Pressure Sending Unit (*S8434*) \* **1/8" NPT, 0-100 PSI Oil Pressure**  
One (1) Ford Speedometer Sensor (*S9024*)

### One (1) Mounting Kit

Nine (9) - #4-32 x 1"Phillips flat head  
Six (6) - #4-32 x 1/2"Phillips flat head  
Fifteen (15) - #4 Nylock Nuts

Nine (9) - #4 x 3/8 Spacers  
Twenty-one (21) - #4 Flat Washers

## DASH PANEL REMOVAL INSTRUCTIONS

1. Remove the Dash housing from your Mustang, then remove all gauge housings and gauges. Retain the factor Housings and the hardware as most of it will be reused.
2. Remove all the lights, wires and Gauges from the steel backs of the gauges.

## DASH PANEL INSTALLATION INSTRUCTIONS

1. Assemble the mounting bracket to the Tach/Speedo Board, then attach the lens to the Board and repeat this on the Volt and Oil gauge panels.
2. Reusing the steel gauge back. Run wires through large opening in the back, place Tach/Speedo assemble in the back. Place the plastic bezel on top, then reassemble it to Bezel by reusing factor hardware. Repeat this process with other two gauges.
3. Do some prewiring on assemble before reinstalling into your Mustang.

**NOTE:** see pictures on page

## WIRING INSTRUCTIONS

**Note:** *Automotive circuit connectors are the preferred method of connecting wires. However, you may solder if you prefer.*

**Note:** LS Engines or any other Computer based engine systems most use provides sensors and install new wires to new sensors

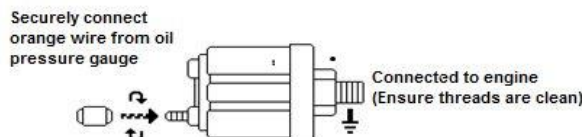
**Note:** *If doing a LS engine swap, pick up the tach signal wire from the ECM/ECU and then set the tach switch to 4-cylinders. You may also need to order the Intellitronix LS Engine Swap Adapter Kit for Series 1, 2 and 3 engines. The part number is 8014LS. If you are getting the tach signal from the ECU, the resistor in the adapter kit will help pull a stronger signal for the tachometer. If your engine is a LS the Tachometer will need to be put into 4 cylinder mode by removing Resistors if the Tachometer does not have a push button for programing, please call Tech Support at Intellitronix, as you may need to send the gauge back to us to be reconfigured. There is no charge for this additional service.*

**Ground – Black**--This is the main ground for the display system. A wire should be run from this board to the vehicle engine block for the best ground. Use 18 AWG or larger wire to ensure sufficient grounding. Proper vehicle grounding is extremely important for any gauges (or electronics) to operate correctly. The engine block should have heavy ground cables to the battery, frame, and firewall. Failure to properly ground the engine block, senders, or digital dash can cause incorrect or erratic operation.

**Power – Pink**--Connect the power terminal to accessory +12V power from the fuse panel or vehicle wiring harness. This terminal should have power when the key is on or in accessory position. Use 18 AWG wire to ensure the system receives a sufficient power feed.

**Water – Blue** - This gauge is incompatible with other sending units, so you must replace the existing water temperature sending unit with the included sender. **Do not** use Teflon tape or other sealer on the new sending unit's threads to avoid inaccurate readings. Connect the blue wire to the sending unit. For best results we suggest running a new wire.

**Oil Pressure – Orange** - Replace the existing oil pressure sending unit with the unit included. **Do not** use Teflon tape or other sealer on the new sending unit's threads. This will avoid inaccurate ground connections as the sending units get their ground from the threads. The oil sender gets its ground from the threading into the engine block, thus proper grounding is crucial. Connect to the sending unit.



**Dimmer – Purple** Connect to the parking lights to dim the LEDs 50% when the headlights are on. However, **\*DO NOT\*** connect to the headlight rheostat control wire, or the dimming feature will not work properly and may cause damage to Unit.

**Brake – Tan** - Connect to the parking brake wire from the dash to negative side of parking brake light switch. **NOTE:** If you are using a one wire switch you may need to switch to a two-wire switch. This wire is an optional wire some vehicles may not require

**High-Beam – Brown** - Connect the brown wire on the Dash unit to your high beam headlight circuit. This wire is powered on when the high beam is turned on.

**Turn Signals - Grey** Two 18-gauge wires, one for each signal. Each wire is labeled on the printed circuit board as 'LEFT' and 'RIGHT'. Connect each wire to its corresponding indicator circuit.

**OR**

**Right Turn Signals - Grey with White strip** 18-gauge wire is the - RIGHT turn signal  
**Left Turn Signals - Grey with Black strip** 18-gauge wire is the - Left turn signal. Each wire is also labeled on the printed circuit board as 'LEFT' or 'RIGHT'. Connect each wire to its corresponding indicator circuit.

**Voltage Gauge** – This Gauge Requires no wire hookup. Volt Gauge is built into the dash panel and is powered by the main power and ground connection of the dash. It does have an Adjuster to fine tune the voltage. Note: you will need to adjust it before fully installing the dash







**Trip/Cal Button - Push button on Dash** - There is a push-button for the speedometer/Tachometer board. This reset your trip odometer or other speedometer functions such as calibration and Tach set up.

**Fuel – Yellow** The fuel gauge sending unit is not normally supplied because in most cases, the display system can use the existing fuel level sending unit in the tank. If your wiring harness already has a single wire routed through the vehicle for the fuel sender, then it may be used. If using a wire from an external harness, make sure that the wire does not have power. Fuel senders reference their ground from the sender mounting plate. Connect the yellow wire to the factory sending unit. Be sure the toggle settings on the switch

#### FORD FUEL DIP SWITCH

- DIP SWIT – ONE ON - --- - DIP SWITCH TWO ON =73 TO 10
- DIP SWIT – ONE ON - --- - DIP SWITCH TWO OFF = 16 TO 158
- DIP SWIT – ONE OFF --- - DIP SWITCH TWO OFF = 240 TO 33
- DIP SWIT – ONE OFF --- - DIP SWITCH TWO ON = 22 TO 145

	Empty	Full		Switch Position
ON	73	10		UP-UP
	16	158		UP-DN
OFF	240	33		DN-DN
	22	145		DN-UP

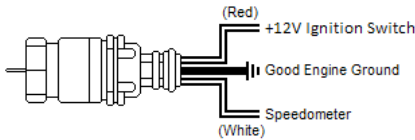
## Intellitronix Digital Performance Speedo/Tach Combo

### SPEEDOMETER

**Speedometer – White - (Factory sender with Powertrain Control Module)** When using a LS engine swap, you will need to pick up the Speedometer signal wire from the PCM Pin 50 on the red connector. (This pin may Differ. Refer to your vehicles Pinout Chart for accuracy). Any other Computer based engine will need to use to use the PCM/ECM to run the speed signal for the Speedometer.(Consults Pinout)

**Speedometer – White - (Factory two wire sender no PCM)** - Most vehicles built after 1984 have an electronic transmission sender. If your vehicle is already equipped with an electronic transmission, then the electronic vehicle sender will usually have Two wires attached to it. One connects to the Signal wire on dash (we prefer this to be high output). The other wire (Low output) Ground at the Engine block. To find High and Low output wire color or pin location will need to be looked up by Vehicle vin or Model and year.

**Speedometer - White (Intellitronix Speed Sender)** - Disconnect the mechanical speedometer cable from the transmission and thread the new electronic sensor onto the transmission. This panel comes with a 3-wire sensor. If you are using this sensor, the **white** wire is the speed signal; connect this to the speed signal wire on your gauge. The **red** and **black** wires in the cable are switch power (12VDC) and ground, respectively. **NOTE:** (Twist all Three wires together and this will provide an additional level of interference protection.) The speed signal wire should not be routed alongside the tachometer, ignition, or any other high-current or high-voltage wires



## Tachometer

**Tachometer – Green** – Connect the wire from the tachometer to the negative terminal of the coil or a direct tach output lead from your distributor or electronic control module. If you are using an aftermarket capacitive discharge ignition system, such as an MSD, you must use the designated ‘tach output’ connection on the electronic box. Do not make any connections directly to the coil with this type of system.

This tachometer is initially calibrated for use with 8-cylinder engines. If you are using it with a 4- or 6-cylinder engines, you must recalibrate the tach for your specific application by pushing the recall button in accordance with the programming modes shown below.

## Modes

By pushing the recall button in accordance with the chart below you can set the S/T combo for various modes and programming functions.

Push	Mode
Once	Tach /Speed Combo
Twice	Speed and Trip Odometer
Three	Speed and Odometer

After installing your speedometer according to the wiring instructions, with the ignition on, the speedometer will be in Speedometer only mode. The speedometer leaves our factory with an industry standard pre-set calibration of 8000 pulses per mile. You may recalibrate the gauge for your specific application. To accomplish this, locate a measured mile where you can safely start and stop your vehicle. By running the vehicle over this measured distance, the speedometer will learn the number of pulses outputted by the speedometer sensor during a specific measured distance. It will then use this acquired data to calibrate itself for accurate reading.

## Instructions

This electronic speedometer/tachometer displays your speed and rpm reading. It also includes an odometer, trip meter, high speed recall, 0-60 time and ¼ mile elapsed time (ET). It can also be calibrated with the push of a button to adjust the gauge for different tire sizes, wheel sizes and gear ratios. The odometer and trip odometer can switch back and forth by gently tapping the recall button. While in Trip mode, if you press and “HOLD” the button, the trip meter will reset to zero. In odometer mode, if you press and “HOLD” the button, the performance data will then be displayed, in addition to “CAL” mode which will allow you to again “TAP” to reprogram the pulses per mile stored info.

When in speedometer only mode, press in and hold the recall button until it starts to run through the various functions. The chart below shows what each display mode is and how to utilize that function.

<b>Display</b>	<b>Function</b>
Hi Spd	Displays Highest speed reached
0-60	Displays time to go from 0 to 60 MPH
¼	Displays Time over ¼ mile distance
8 Cylinder	Sets cylinder selection
Odo	Sets odometer display
Cal	Calibrates Speedometer

While 'CAL' is being displayed, press the pushbutton briefly one time. This will put the speedometer in Program Mode. It is very important that you drive to the end of the measured mile and tap the button

again. **WARNING:** If while in 'CAL' mode you do not move at all and press the button again, the microprocessor will NOT have received any data whatsoever and the unit will need to be sent back to the factory for reprogramming. At a minimum, drive some distance and you can always go back and start again if need be.

If you miss stopping the display at 'CAL', simply repeat the steps. With 'CAL' displayed, the speedometer is now waiting to record the pulse count data accumulated over the measured mile. When you are ready to begin driving, press the pushbutton once. The odometer will display the incoming pulse count. Drive the vehicle through the measured mile (speed is not important). As you move, the odometer will begin showing the speedometer pulses as they are being counted. At the end of the mile, stop and press the pushbutton again. The odometer will now display the number of speedometer pulses that were registered over the distance.

## **Trip Distance**

A single *tap* of the recall button will activate the trip meter in the odometer display. A decimal point will appear which will indicate that you are in trip meter mode.  *Holding* the recall button will clear out the trip distance. To return to the default odometer display,  *tap* the recall button again. The decimal point will disappear, indicating that you are back in the default odometer display.

## **Setting the Odometer**

While scrolling through 'CAL' mode you will see 'ODO' appear. This will allow you to enter the vehicle's actual mileage. Press the trip button again at this point and you will enter the odometer set up mode. Press quickly to change the number of the digit on the right. Press and hold to advance to the next digit. Do this for all 5 digits. **For Example:** To enter the mileage reading 23456 into the odometer, at the 'ODO' prompt, tap the small black button (quickly) two times, until the number **2** is displayed. Then press and hold the button until the numbers **20** are displayed. Tap the button 3 times until **23** is displayed. Press and hold the button until **230** is displayed, and continue in this manner until **23456** is displayed. The speedometer will advance to the home screen, five seconds after the last number is entered.

## Recording and Viewing Performance Data

Follow these steps to record and recall Performance Data (high speed, ¼ mile ET, and 0-60 time):

1. Before each run, your car must be at a complete stop at the starting position. *Press and hold* the push-button as it cycles through the performance data. At the end, the odometer will reset, and all performance data will be cleared. This will not affect your stored calibration value or the odometer reading.
2. Press the push-button until 'HI-SP' is displayed. The gauge will automatically cycle through the performance data.
3. Start the run, pass, session, etc., as mentioned above.
4. When finished, repeat *Step 2* to view the data gathered from the run. While stopped, you can view this data as often as you wish. However, once it finishes scrolling one time, the memory is ready to record new data and will begin recording again once the vehicle starts to move. The highest speed measured over multiple runs will be retained in memory.

Your Intellitronix dash panel is equipped with our Digital Performance Speedometer, which has factory settings that are ***pre-set with the industry standard setting of 8,000 pulses per mile to match your vehicles factory settings.*** This electronic speedometer displays speed and includes an odometer, trip meter, high speed recall, 0-60 time, and quarter-mile elapsed time. It can be calibrated with the push-button to adjust the speedometer when you have ***different tire sizes, wheel sizes, and gear ratios.***

The single push-button is used by a *quick tap* to toggle between odometer and trip meter. The microprocessor distinguishes between a *quick tap* and a *press and hold* which will reset the trip meter in trip mode or display performance data in odometer mode.

### CALIBRATION

The Digital Performance Speedometer leaves the factory with a factory pre-set industry standard setting of 8,000 pulses per mile. You should ***not have to recalibrate your speedometer, unless you have changed the original tire size or the rear end gear ratio.***

Also, if using the Intellitronix GPS Sending Unit, (S9020 – not included) the speedometer does not need to be calibrated.

***NOTE: DO NOT*** attempt to recalibrate your speedometer until after it is working properly, and you have determined that the speed is consistently incorrect. The calibration procedure will NOT correct a faulty installation or improper wiring.

**WARNING:** If, while in 'CAL' mode, **you do not move the vehicle but press the button again**, the microprocessor will NOT have received any data and the unit will display 'Err' and will revert to the factory settings. At a minimum, drive some distance and return to the start if necessary. If you miss stopping the display at 'CAL', simply repeat the steps.

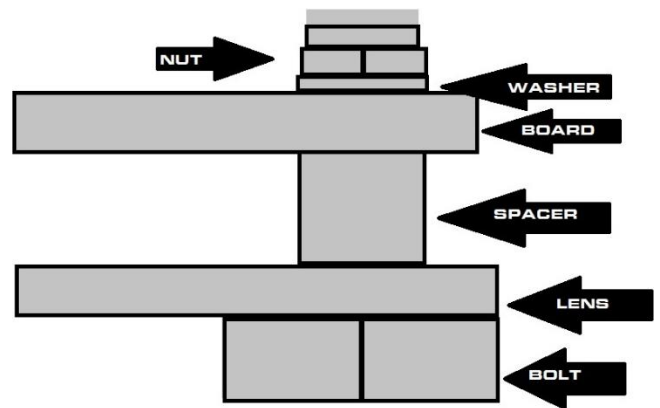
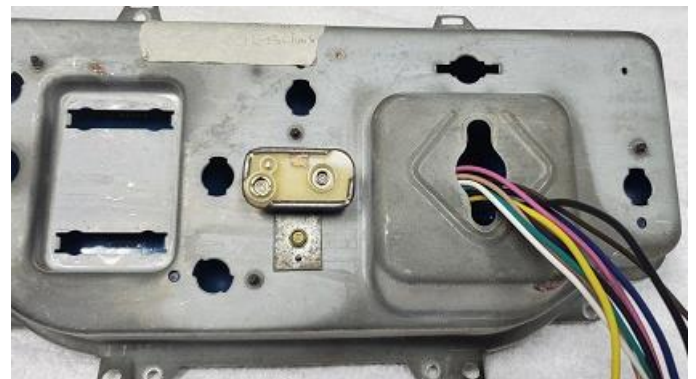
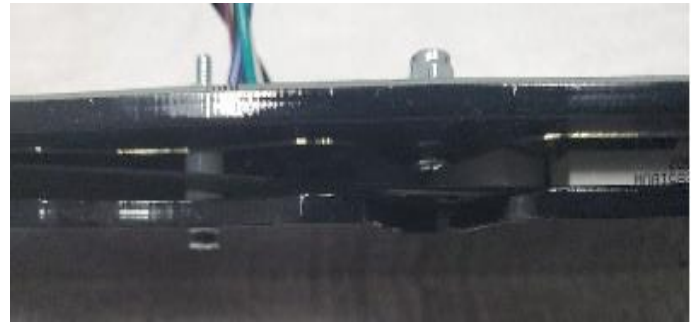
**To calibrate:**

1. **Locate a measured mile or KPM where you can safely start and stop your vehicle.** By running the vehicle over this measured distance, the speedometer will learn the number of pulses outputted by the speedometer sensor during a specific measured distance. It will then use this acquired data to calibrate itself for accurate reading. There is a small recall pushbutton in the center of the panel used to calibrate and read all of the data stored in the speedometer. After installing your speedometer according to the wiring instructions, when the ignition is on it should immediately display the default screen of 0 MPH, if the vehicle is not moving.

**NOTE:** You will then need to drive your vehicle to the predetermined measured mile. During this trip, the speedometer should read something other than 0 MPH. If it does not change, return and locate the problem before continuing. Otherwise, proceed with the calibration.

2. Stop at the beginning of the measured mile with your vehicle running and in odometer mode (NOT trip mode), press and hold the push-button until the odometer displays 'HI-SP'. On its own, the gauge will then cycle through the recorded performance in the following order: '0 - 60', '1/4', 'ODO', and 'CAL'.
3. While 'CAL' is displayed, quickly *tap* the push-button once. This will put the speedometer in Program Mode. If you did not tap while 'CAL' is displayed, the pulses per mile will be displayed on the odometer and the display will go back to MPH mode. Otherwise, you will now see 'CAL' displayed along with the number '0'. This indicates that the microprocessor is now ready for calibration.
4. When you are ready, begin driving on the metered mile. You will notice that the reading will start counting up. The odometer will begin to display the incoming pulse count. Drive the vehicle through the measured mile (speed is not important, only the distance traveled).
5. At the end of the mile, stop and press the push-button again. The odometer will now display the new number of speedometer pulses that were registered over the distance. The odometer will continue to display the pulse reading for a few seconds. Once it reverts to the default mode, you have successfully calibrated your speedometer.





Made in America

Lifetime Guarantee



Technical Support

Monday – Friday

9am to 5 pm EST

(440) 359 7200

[support@intellitronix.com](mailto:support@intellitronix.com)

CHECK OUT THE **SUPPORT** PAGE AT

[www.intellitronix.com](http://www.intellitronix.com)

FOR QUICK ANSWERS (**Q&A**) TO YOUR QUESTIONS



**This product carries a limited Lifetime Warranty.**

**This warranty is limited to replacement or repair of the unit at the discretion of Intellitronix.**

## **RETURN POLICY PROCEDURES**

### **Return Policy Instructions**

1. Download the Intellitronix Return/Repair Form and fill in the information on the form about the product.
2. Place the product being returned in the original packaging that it came in and include a copy of the completed Intellitronix Return/Repair Form.
3. All packages must be accompanied with an RMA Number.

Please call Technical Support at +1 440-359-7200 to receive an RMA Number.

4. Mail the product being returned with the completed Return/Repair Form and a copy of the original sales invoice.

### **Request for Product Refund**

1. All returns for a refund must have a completed Intellitronix Return/Repair Form included in the package with the returned product.
2. If the return is for a product that is not defective a 20% restocking fee will be charged. The product must be in the same pristine condition that it was sent to you.
3. Proof of purchase is required. Please include a copy of the original sales order with the returned product.
4. All product must be returned undamaged and in working order in the original packaging including plexiglass, sending units, mounting hardware, or you will be subject to additional charges for product and accessories not returned.
5. All refunds will be reviewed by the Accounting Office.