

Made in America

Lifetime Guarantee



Thank you for purchasing this instrument from Intellitronix. We value our customers!

INSTALLATION GUIDE

Fan Controller

Part Number: N4001

*** Always disconnect the battery *before* attempting any electrical work on your vehicle.***

KIT COMPONENTS

- ◇ One (1) Fan Controller Unit
- ◇ One (1) Temperature Sending Unit (S8013)
- ◇ Four (4) Plastic Wire Connectors

SPECIFICATIONS

- ◇ Temperature Range: 18-225°F
- ◇ Fan Speed Output: Half (idle) through Full Speed
- ◇ Input: 12VDC
- ◇ Output: Ground
- ◇ Engine-off run time: 1 minute

GENERAL INFORMATION

The Intellitronix Digital Fan Controller uses pulse width modulation technology to control the speed of your vehicle's fan(s). The initial temperature at which your fan turns on can be adjusted to your normal idle speed, at which point it will start only at half speed.

WIRING INSTRUCTIONS

Note: Automotive circuit connectors are the preferred method of connecting wires. However, you may solder if you prefer.

Wire	Location
White (12g)	Fan Ground
Black (12 g)	Battery Ground
Orange	Fan(s) & 12V Battery
Black (18g)	Engine Ground
Blue	Temperature Sender
Grey	Switch (Key On)

Ground (fan) - White (12 gauge) Connect this ground wire to the fan's ground.

Ground (battery) - Black (12 gauge) Connect this ground wire to the battery's ground terminal.

Power - Orange Connect to the +12V terminal of the vehicle's fan(s) and 12V battery

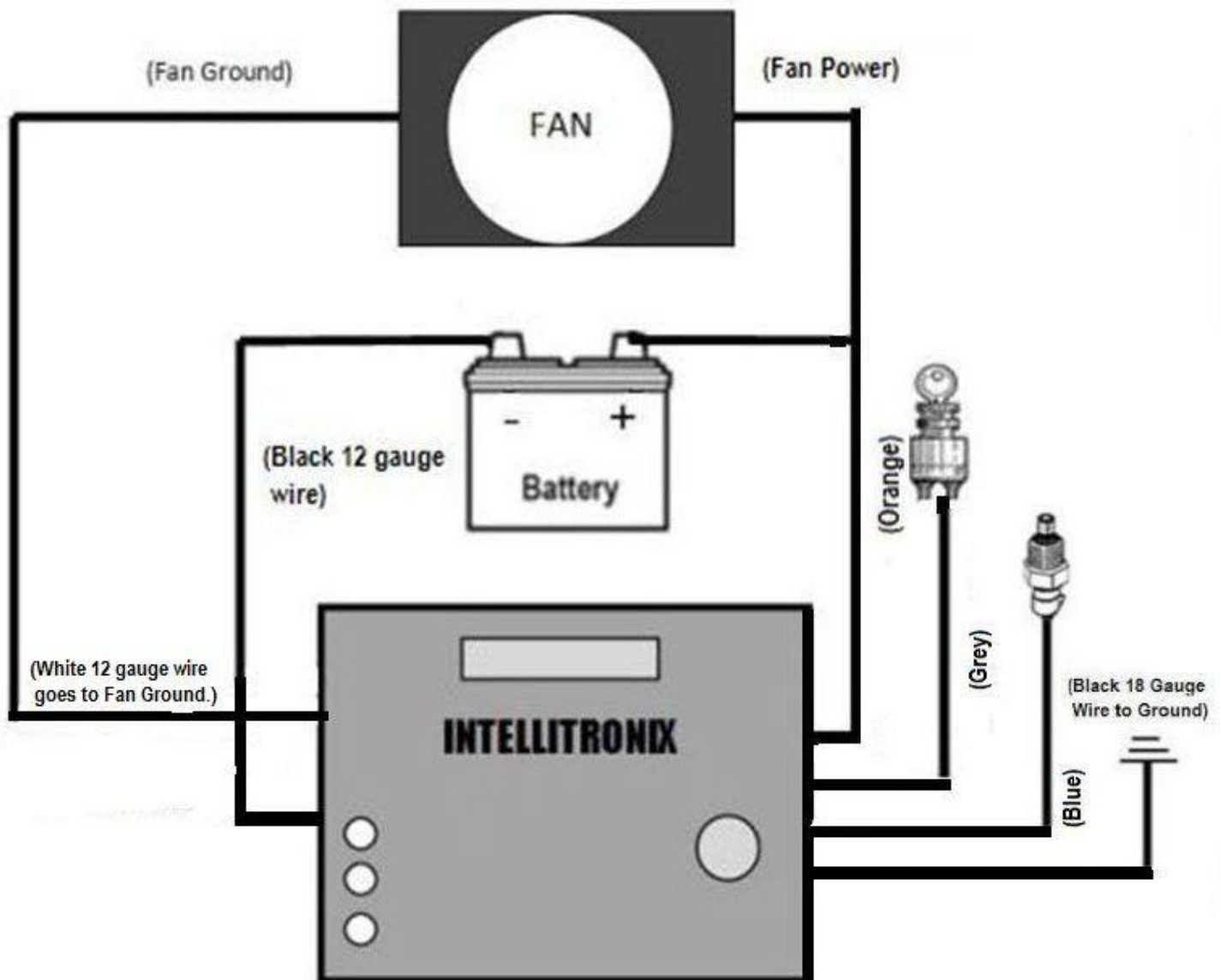
Ground - Black (18 gauge) Connect to a vehicle ground.

Temperature - Blue Install the temperature sender to where your existing temperature sender currently is, or, if desired, to a fitting that is on the outlet side of the engine's coolant cycle.

Ignition - Grey Connect to the vehicle's switch (Key On)

Adjusting Potentiometer

Let the vehicle run until at normal operating temperature. Adjust the potentiometer all the way down to ensure that the fan is off. Slowly turn the screw clockwise until the fan turns on. This sets the fan to half speed at idle.



Made in America

Lifetime Guarantee



Technical Support

Monday – Friday

9am to 5 pm EST

(440) 359 7200

support@intellitronix.com

FOR QUICK HELP CHECK OUT WEBSITE Q&A PAGE FOR SOME HELP .



This product carries a limited Lifetime Warranty.

This warranty is limited to replacement or repair of the unit at the discretion of Intellitronix.

RETURN POLICY PROCEDURES

Return Policy Instructions

1. Download the Intellitronix Return/Repair Form and fill in the information on the form about the product.
2. Place the product being returned in the original packaging that it came in and include a copy of the completed Intellitronix Return/Repair Form.
3. All packages must be accompanied with an RMA Number.

Please call Technical Support at +1 440-350-7200 to receive an RMA Number.

4. Mail the product being returned with the completed Return/Repair Form and a copy of the original sales invoice.

Request for Product Refund

1. All returns for a refund must have a completed Intellitronix Return/Repair Form included in the package with the returned product.
2. If the return is for a product that is not defective a 20% restocking fee will be charged. The product must be in the same pristine condition that it was sent to you.
3. Proof of purchase is required. Please include a copy of the original sales order with the returned product.
4. All product must be returned undamaged and in working order in the original packaging including plexiglass, sending units, mounting hardware, or you will be subject to additional charges for product and accessories not returned.
5. All refunds will be reviewed by the Accounting Office.